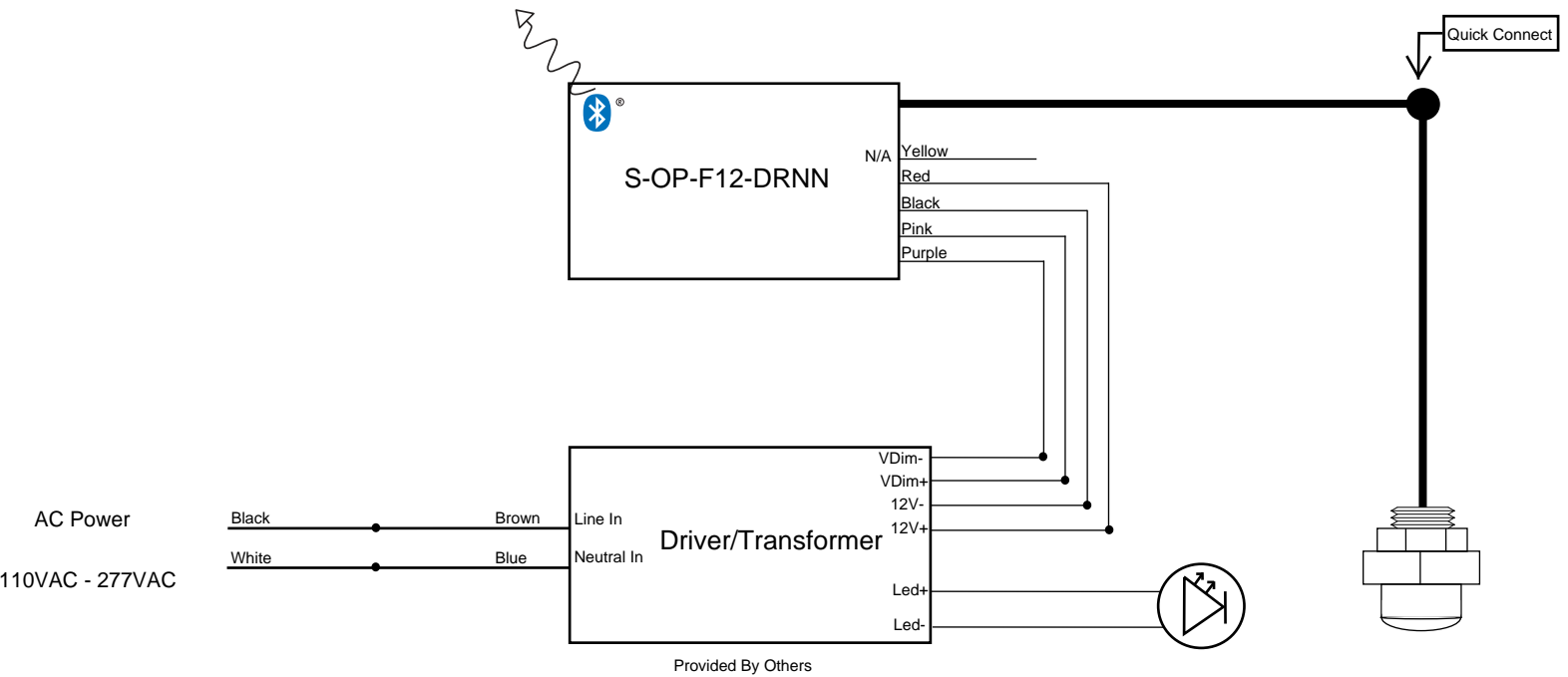
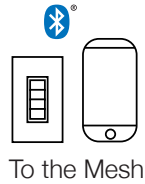


## Wiring Diagram | S-OP-F12-DRNN

### Dim to Off Driver with 12V Auxiliary Power



\*Illustration is for example purposes only. Manufacturers vary depending on technical requirements of the light.\*